

## PEC GENERAL USE PHOTOELECTRIC CONTROLLER

**Certified to:** FAA AC 70/7460-1

**Compliant to:** FCC Rules and Regulations  
Canadian Standards Association (CSA) PEC



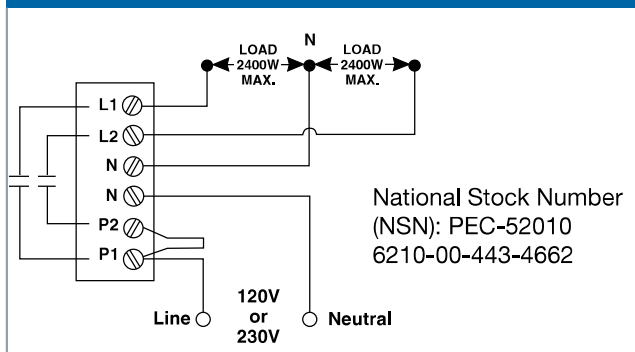
### FEATURES/BENEFITS

- Meets FAA and FCC requirements
- Two 30A load contacts
- Maximum of 2,400W load per contact
- Surge protection
- LED power indicator
- Cast aluminum weatherproof box
- Solid-state circuitry for high reliability
- Light actuation: Energizes at 35 foot-candles  
De-energizes at 60 foot-candles
- Each contact may directly switch a load, activate an OLA lighting contactor, or activate an OLC controller
- Operates on 60 or 50Hz frequency power
- Front housing hooks onto lower edge of the aluminum box for easy installation
- Screw terminals for 8 AWG wire
- Voltage tolerance  $\pm 20\%$

### APPLICATION

- The PEC Photoelectric controller automatically switches lighting circuits directly as a load contactor or indirectly through other lighting contactors or controllers.

### WIRING DIAGRAM



### Two Wire Service with Split Loads

Note: For a combination photoelectric controller and flasher in the same housing as the PEC, order PCF-70006 for 120V operation or PCF-70206 for 220V operation.

### ORDERING INFORMATION

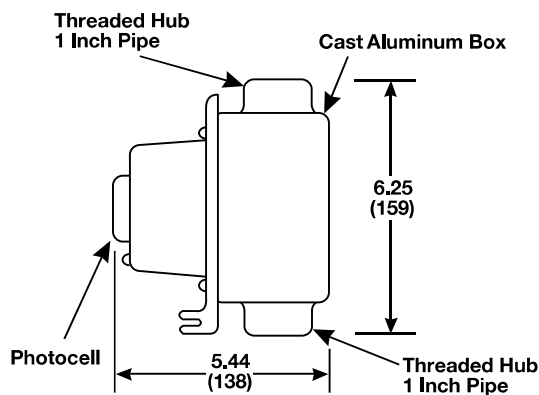
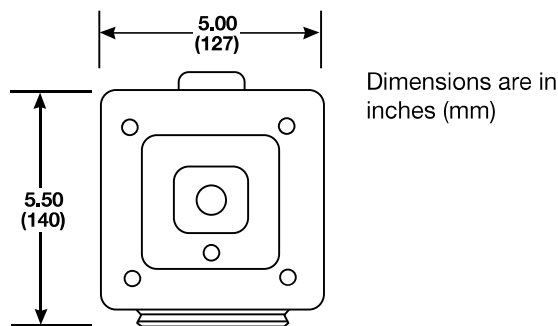
Catalog Number	Voltage*
52010	120
52010-1	230

\* Voltages are line to neutral. The 230V units are typically for 220-240V operation.

### OPTIONS

Description	Suffix
For use with dual red/white system	W

### INSTALLATION DRAWING



### WEIGHTS & MEASUREMENTS

Shipping Weight:	5 lbs	2.3 kg
Shipping Volume:	0.3 ft <sup>3</sup>	0.008 m <sup>3</sup>